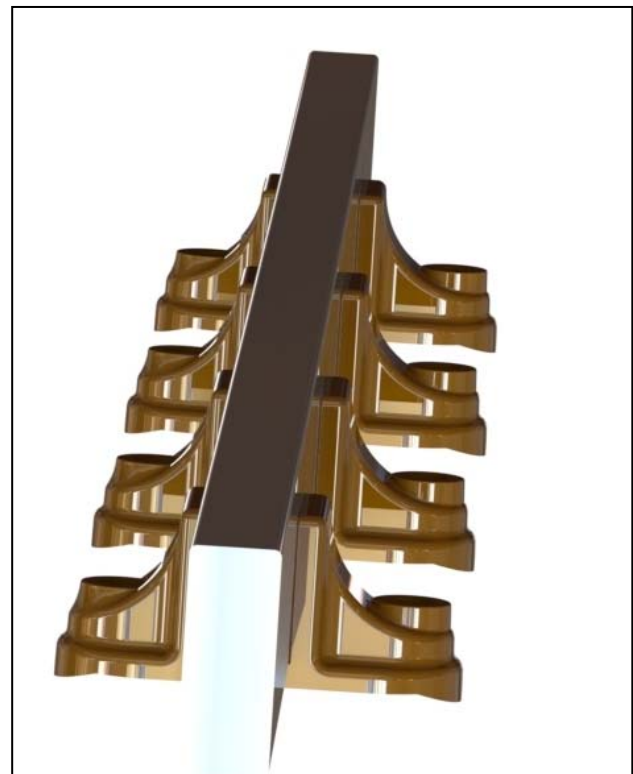
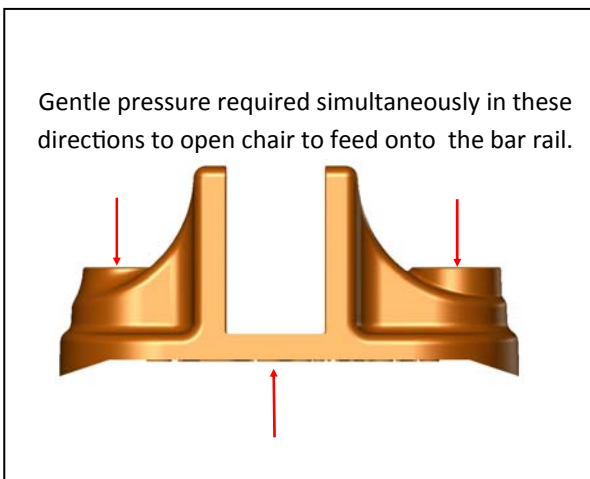
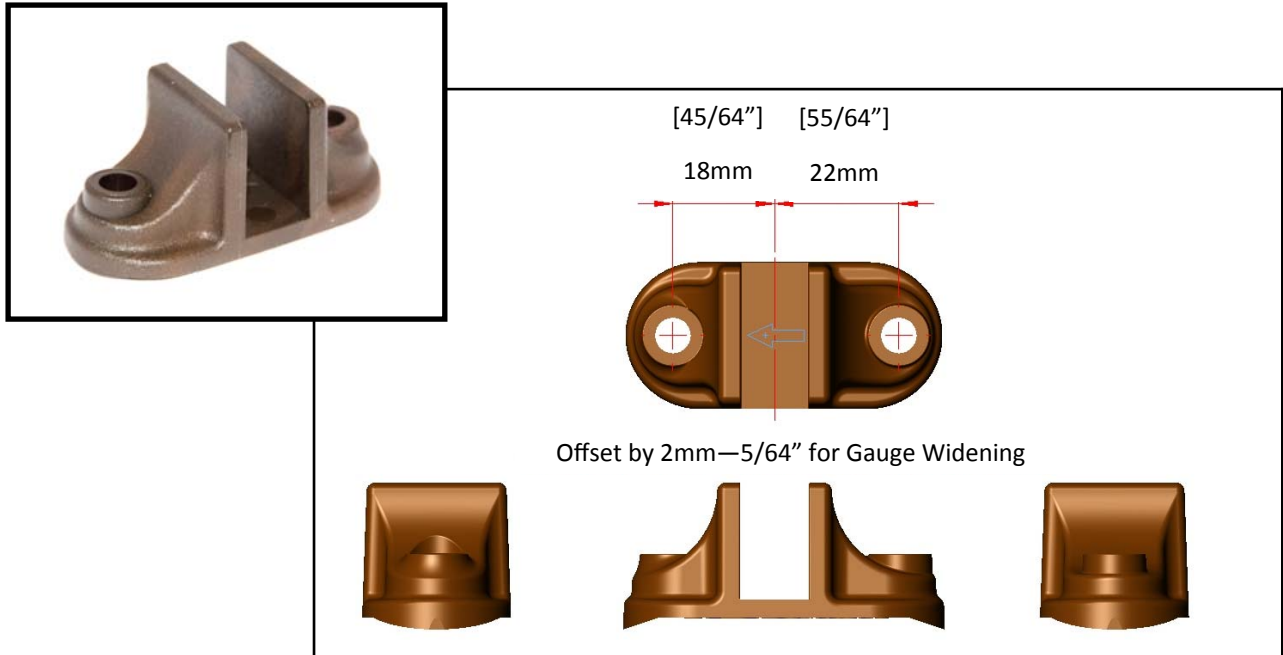


PNR 12K—12mm x 30mm Bar Rail Chairs

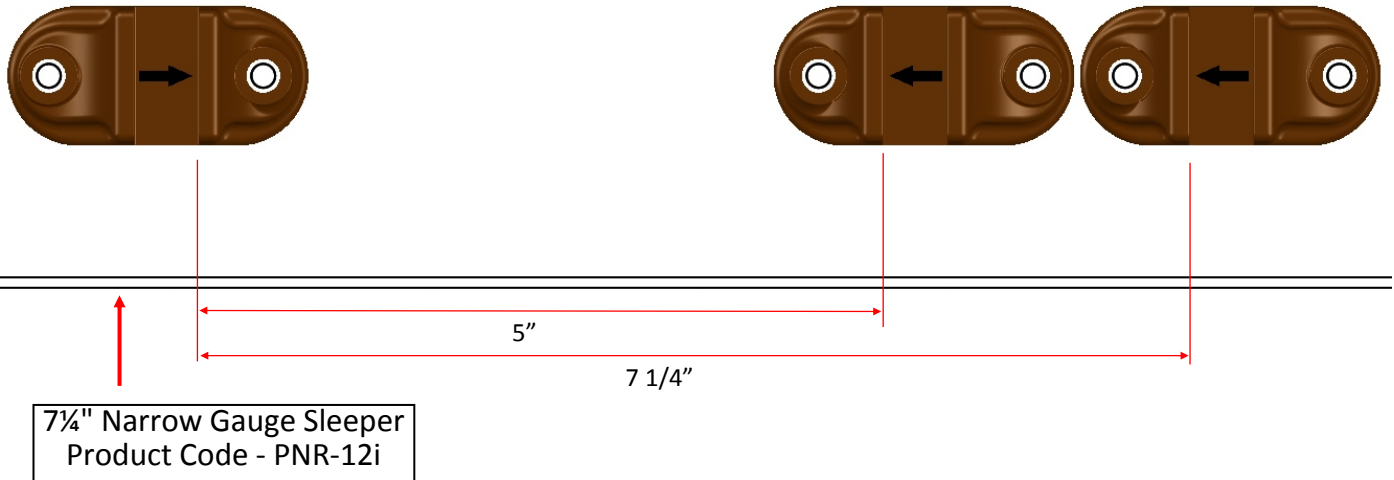
Please read this instruction leaflet in it's entirety before attempting to assemble and use your new product



A full length of bar rail should have the chairs added (recommended spacing 300mm between centres when used on PNR-12I narrow gauge sleepers) before attempting to screw them to your sleepers

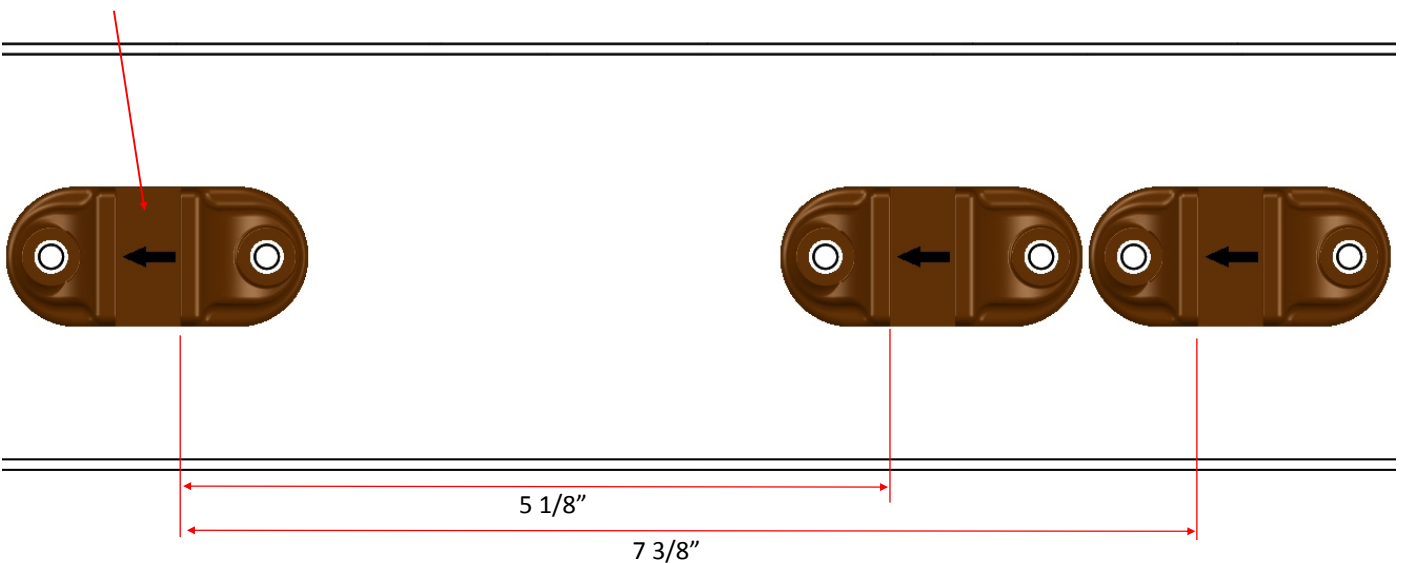
1. To Assemble Track on Gauge

All three chairs with indication arrows pointing inwards



2. To Assemble Track Over Gauge

Turn single chair by 180 degrees so that all arrows are pointing in the same direction

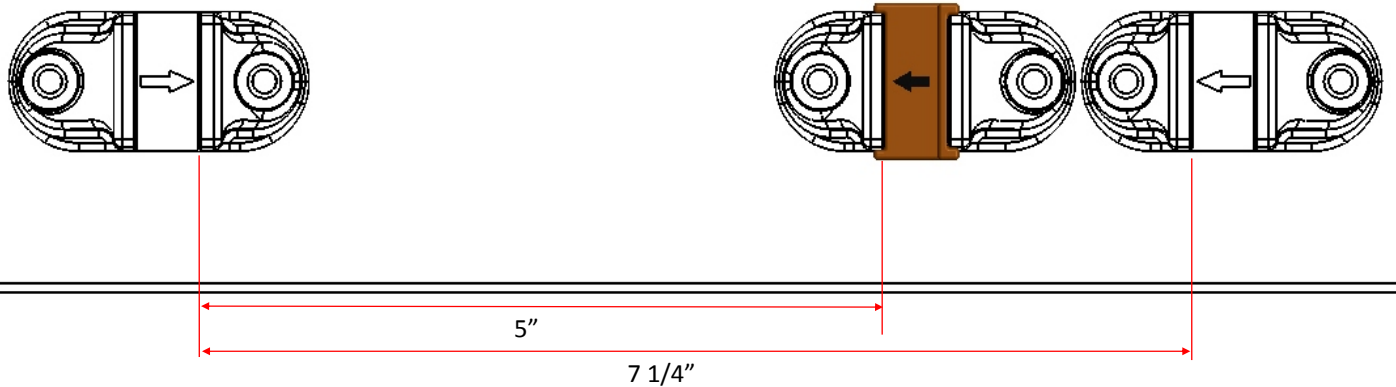


Schematic using 12mm x 30mm Bar Rail in conjunction with 10mm x 20mm Bar Rail
(where 10mm bar is used to create 5" gauge)
Additional part required PNR-12L—10mm x 20mm Bar Rail Chair



1. To Assemble Track on Gauge

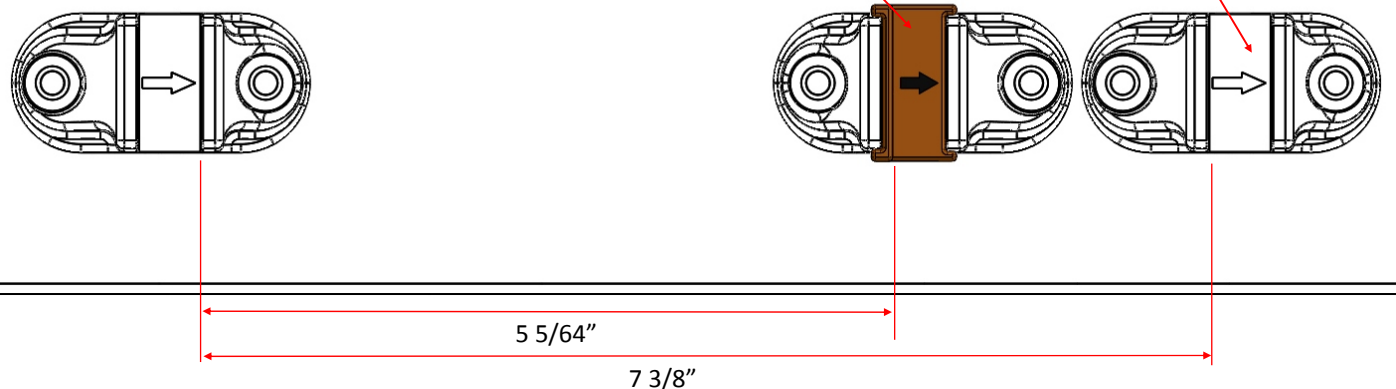
All three chairs and spacer with indication arrows pointing inwards



2. To Assemble Track with Gauge Widening

Leave this chair but turn spacer by 180 degrees so that all arrows are pointing in the same direction

Turn single chair by 180 degrees so that all arrows are pointing in the same direction



Safety

While all reasonable steps have been taken to produce a product for use on miniature railways, it is the responsibility of the end user to ensure that the track components have been assembled properly and have been laid on a stable and secure base, and are only used for the purpose for which they are intended. Frequent inspection of the track components for defects, loose fasteners, stability etc should be carried out by the user.